

AURORALIGHT

PROJECT: _____

SKU #: _____

TYPE: _____

TELLURIDE

STW160264

The Telluride is engineered around Auroralight's Thermally Integrated® Field Serviceable LED Module. Utilizing our Copper Core Technology®, internal temperatures are monitored and self-regulated.

- Storm Drain™ lens system to expel dirt, dust & water
- Thermally Integrated® w/ Copper Core Technology®
- Interchangeable PMMA Acrylic Optics from 20° to 60°
- Ideal for stairs, pathways and architecture



CONFIGURATOR:

STW160264	LED	FINISH
	<input type="text"/>	<input type="text"/>
	() = Most common configuration	(NAT) Natural Brass
	(2712) 2700K 12W	(BLP) Bronze Living Patina
	(2716) 2700K 16W	(BLPX) Extra Dark BLP
	(2724) 2700K 24W	(NI) Nickel PVD
(3012) 3000K 12W		
(3016) 3000K 16W		
(3024) 3000K 24W		

AVAILABLE FINISHES:



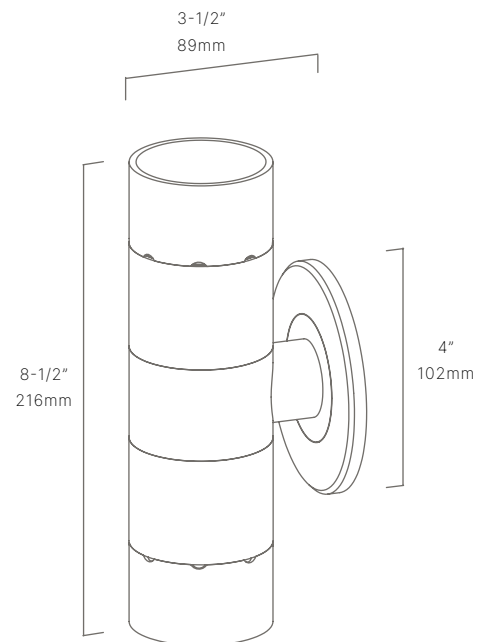
FIXTURE DIMENSIONS	L8-1/2" x W3-1/2"
LIGHT SOURCE	Included LM16 LED Module
COLOR TEMPERATURES	2700K, 3000K
WATTAGES	12W, 16W, 24W
CRI (RA)	80 CRI
VOLTAGE	12V
DELIVERED LUMENS	1352lm (3000K)
DIMMABLE	Yes, Dim to <10% via Transformer
DRIVER	Yes, 12V Integral Constant Current
TRANSFORMER	No, 12V AC/DC Transformer Required
MOUNT	Included 4" Cover Plate
ACCESSORIES	Yes, Not Included
OPTICS	Yes, Included 20°, 40° & 60°
FINISH	Included Natural Brass
MATERIAL	Brass
WIRE LENGTH	24"
LOCATION	Exterior Wet
CERTIFICATIONS	UL, IP66, IP67

*For complete warranty terms, please visit: www.auroralight.com/warranty/

P. 760.931.2910

O. 2742 Loker Ave. W Carlsbad CA 92010

W. www.auroralight.com



MADE IN USA
WITH DOMESTIC & IMPORTED MATERIALS



AURORALIGHT

PROJECT: _____

SKU #: _____

TYPE: _____

ADD-ONS

ACCESSORIES

H003	Hex Baffle
SBH003	Stepped Baffle w/ Hex
LS003	Linear Spread Lens
F003	Frosted Lens
GS109	60° Glare Shield

ACCESSORIES



P. 760.931.2910

O. 2742 Loker Ave. W Carlsbad CA 92010

W. www.auroralight.com

MADE IN USA
WITH DOMESTIC & IMPORTED MATERIALS

